

## Instructions

### Chain drive series HCM

Type: HCM (24/36/48VDC)





## Safety Notes



- **Operating voltage 24/36/48VDC  $\pm$ 15%, max Ripple: 2 volt PP.**
- **Don't connect directly to grid!**
- Connection must be carried out by authorized electricians.
- It's necessary to ensure that people keep away from the operation area of the drives. Danger of violent pressure in accessible area!
- Use only in dry rooms.

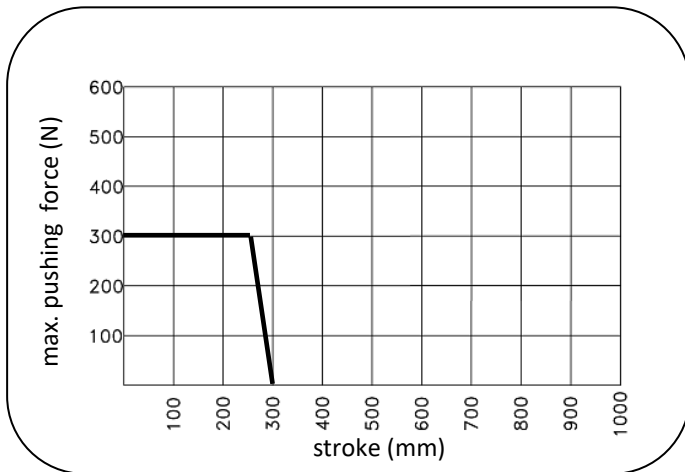
## Application area

- For opening and closing of facade and roof windows
- Suitable for natural ventilation

## Stroke-pushing force diagram



- **Maximum pushing force of chain is dependent on stroke and does not correspond to the maximum pushing force of drive!**



## Features

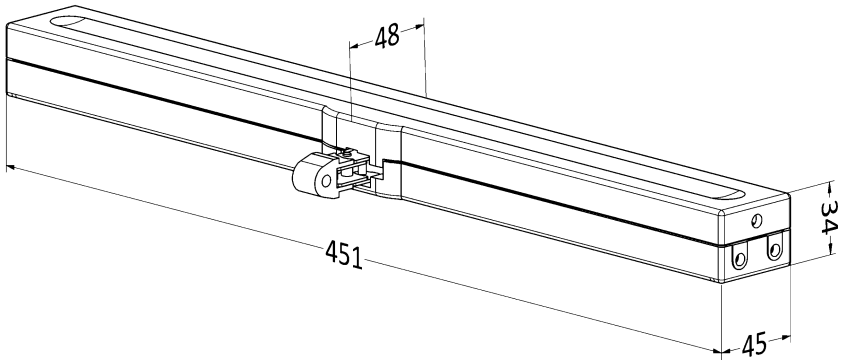
- Microprocessor controlled BUS-synchronization.
- Max. 4 drives can be connected with each other.
- Built-in 27k Resistance in supply line.
- Push/Pull-Force, Opening/Closing-Speed and Stroke length can be programmed.
- Electronic overload protection
- Reduced speed and force during the last 50 mm of closing ("Soft-close")
- Symmetric chain exit
- Housing in white coated aluminium
- Drive is supplied with 2.5 m silicone cable
- Different types of brackets available, depends on type of windows and kind of mounting
- Compatible to all Actulux 24V - 48V SV and SVM Control Panels.
- Tested according to EN 12101-2, EN 50130-4.

## Technical data

| Type           | Voltage/<br>Current                       | Push force | Pull force | Stroke length | Speed<br>Comfort |
|----------------|---|------------|------------|---------------|------------------|
| HCM<br>300/300 | 24VDC/0.8 A<br>36VDC/0.6 A<br>48VDC/0.4 A | 300N       | 300N       | 300 mm        | 6.8 mm/s         |

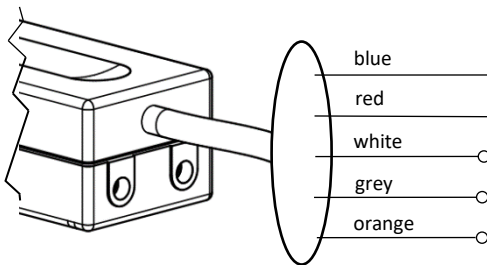
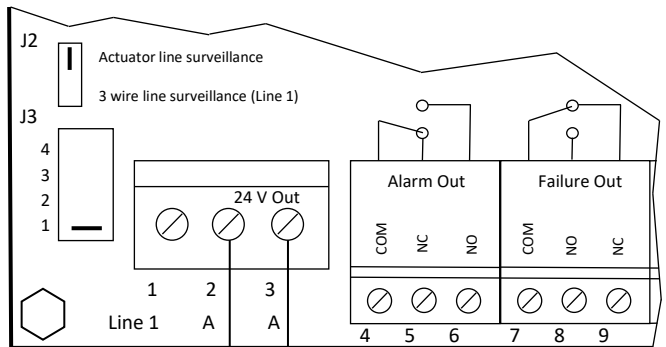
- Supply: 24V/36V/48V± 15 %.
- Consumption: 0,8A/0,6A/0,4A.
- Speed open/close: 6,8 mm/s.
- Protective class: IP32.
- Temperature range: -5°C ~ +55°C.
- Force push/pull: 300N.
- Duty cycle: 30% at 10 min. running time.
- Stroke: 300 mm.
- Soft close distance: 50 mm.
- Soft close speed: 3.5 mm/s.
- Soft close force: 200N.
- Locking force: 2000N.
- Lifecycle: >11000 double strokes.

## Dimensions of type HCM



## Connection for type HCM in single mode SVM control panel

If no line surveillance is necessary, remove jumper J2 and J3.

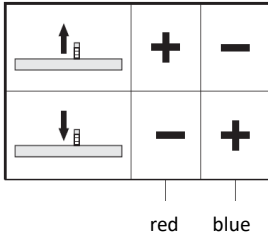


**Caution: The white and grey core are only for changing parameters. Parameter change can only be made by Actulux or an authorized service and sales partner by Actulux.**

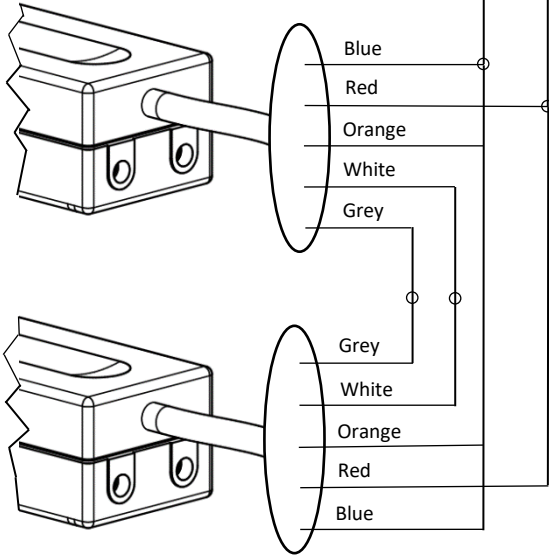
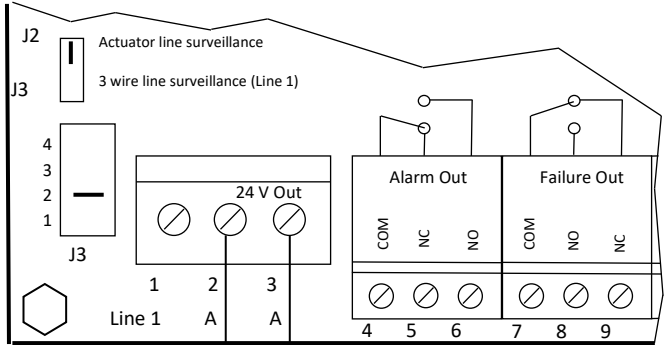
**Do not connect the white and grey wire to 24V!**

# Connection for type HCM in synchro mode

# SVM control panel



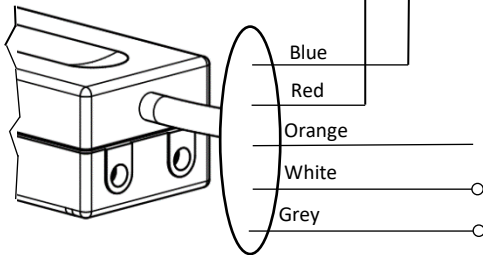
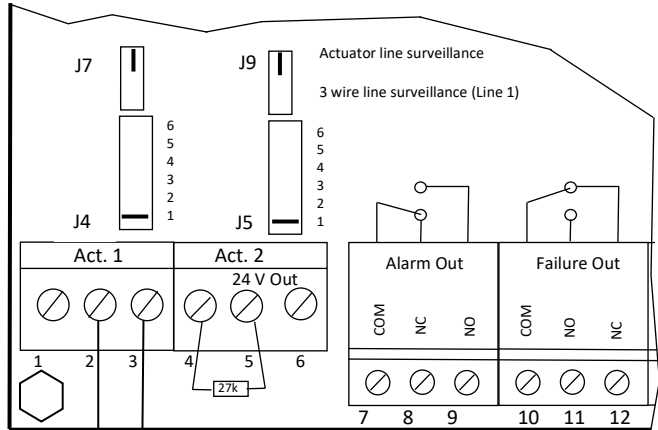
If no line surveillance is necessary, remove jumper J2 and J3.



**Caution: The white and grey core are only for changing parameters or for BUS communication in synchro mode. Parameter change can only be made by Actulux or an authorized service and sales partner by Actulux.**

**Do not connect the white and grey wire to 24V!**

If no line surveillance is necessary, remove jumper J4 and J7 for Actuator 1 and J5 and J9 for Actuator 2



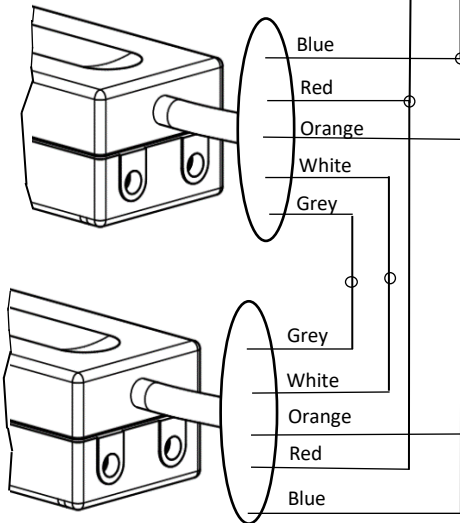
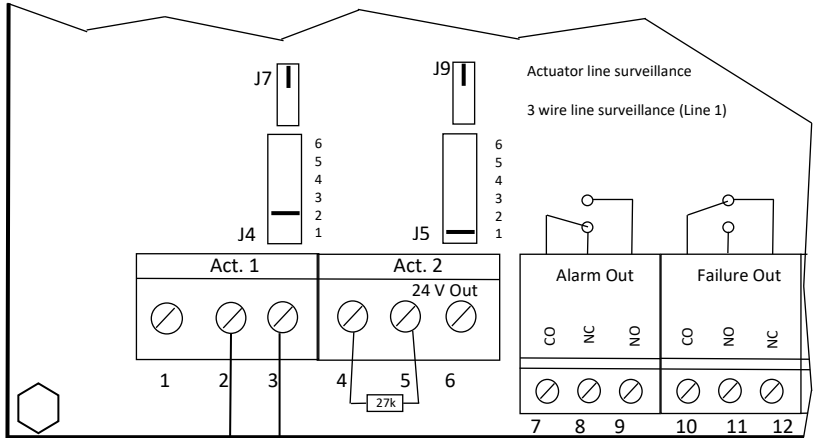
**Caution: The white and grey core are only for changing parameters. Parameter change can only be made by Actulux or an authorized service and sales partner by Actulux.**

**Do not connect the white and grey wire to 24V!**

# Connection for type HCM in synchro mode

# SV Control panel

If no line Surveillance is necessary, remove jumper J4 and J7 for Actuator 1 and J5 and J9 for Actuator 2.



**Caution: The white and grey core are only for changing parameters or for BUS communication in synchro mode. Parameter change can only be made by Actulux oran authorized service and sales partner by Actulux.**

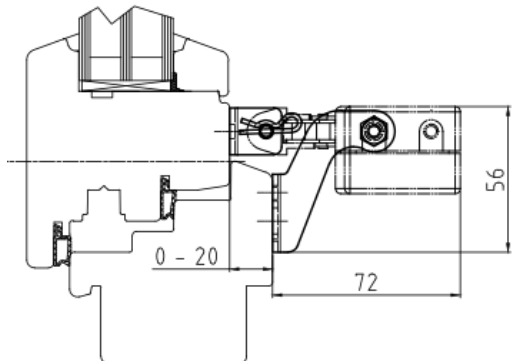
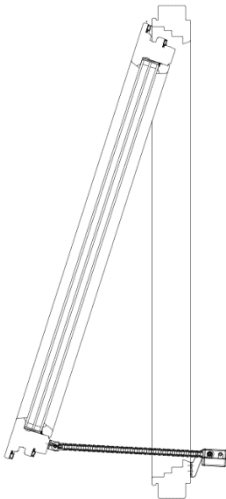
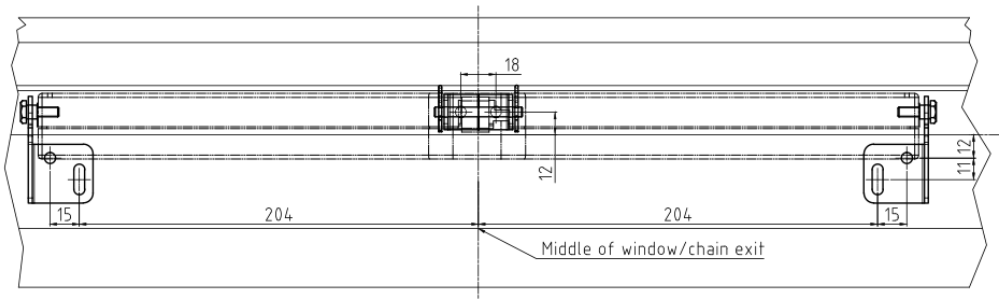
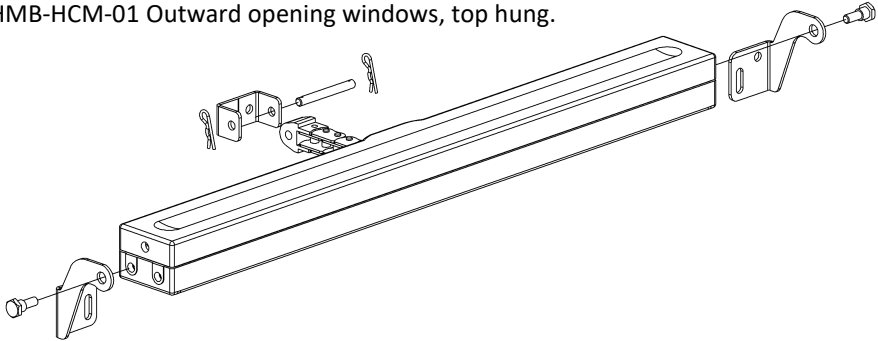
**Do not connect the white and grey wire to 24V!**



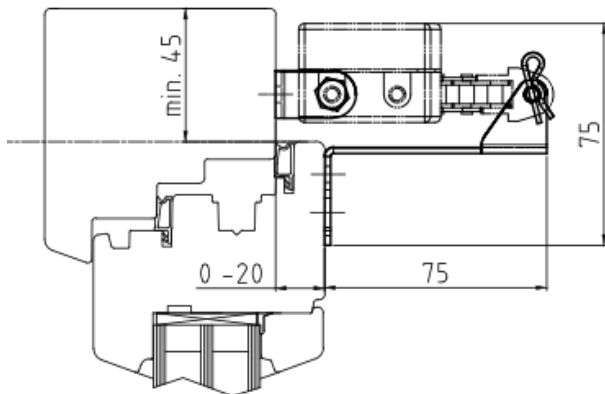
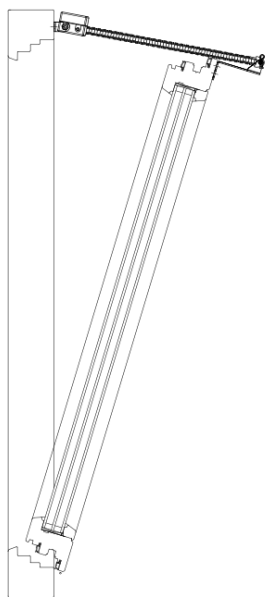
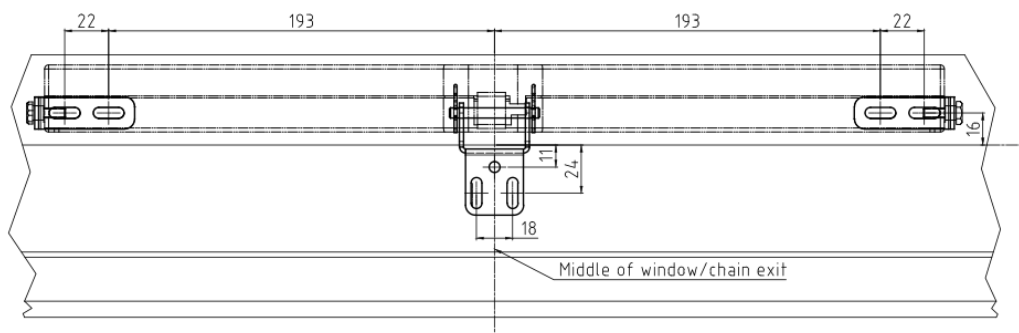
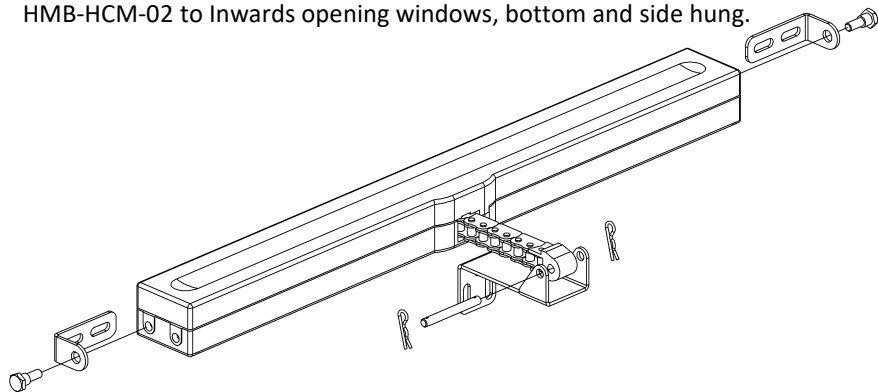
## Mounting instruction

| Application                                  | Bracket Set | Order No. |
|--|-------------|-----------|
| Outwards opening window, top hung            | HMB-HCM-01  | 390150    |
| Inwards opening window, bottom and side hung | HMB-HCM-02  | 390160    |
| Skylight                                     | HMB-HCM-03  | 390190    |

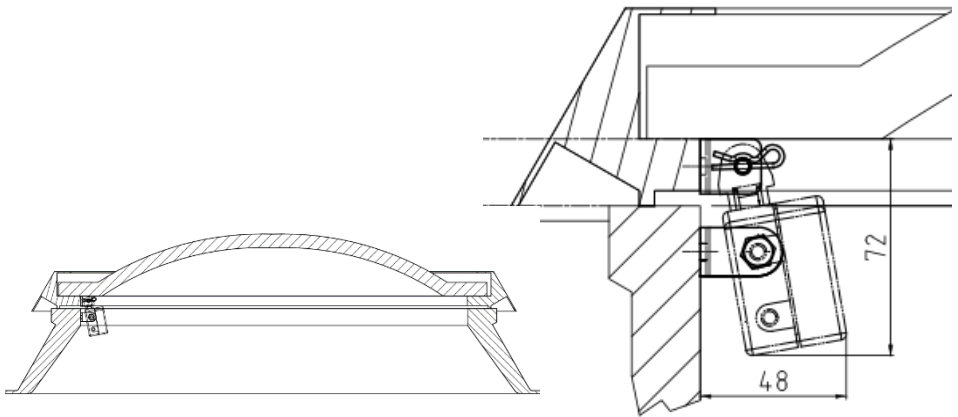
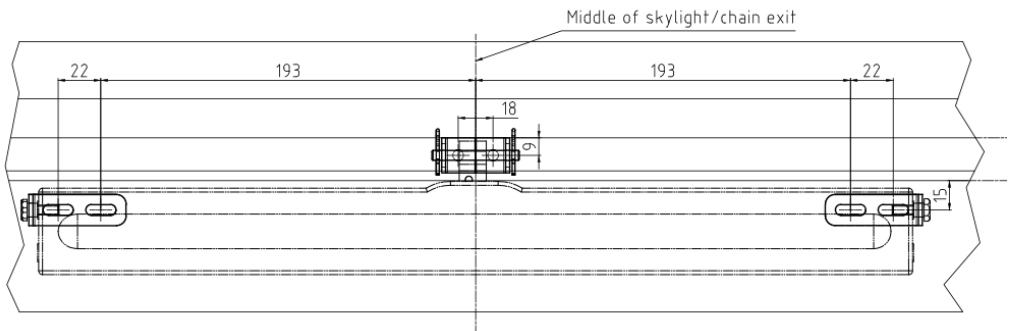
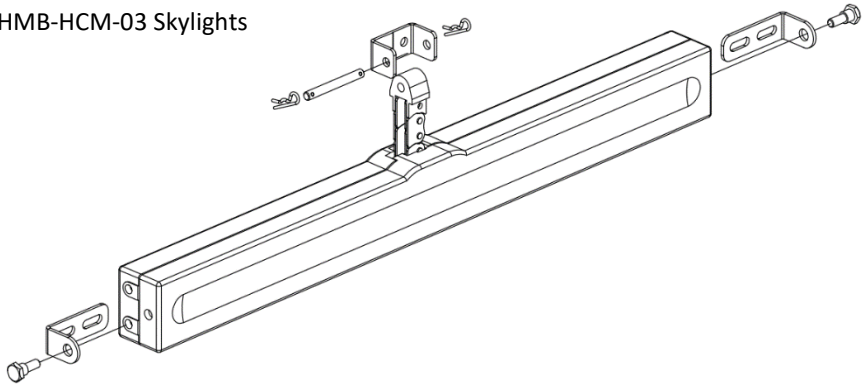
HMB-HCM-01 Outward opening windows, top hung.



HMB-HCM-02 to Inwards opening windows, bottom and side hung.



HMB-HCM-03 Skylights

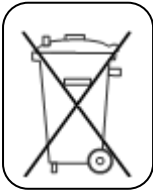


**Please be aware, that in all bracket sets are no screws included. Choose proper screws according to frame material!!**

## Warranty

We refer to [www.actulux.com](http://www.actulux.com)

## Disposal



Electrical equipment, accessories and packaging should be recycled for environment protection!

Don't dispose electrical equipment into household waste!

Only for EU-Countries: According to the European guideline 2002/96/EG about waste electrical and electronic equipment and its implementation into national law, useless electrical and electronic equipment must be separately collected and recycled for environment protection.

## Contact

**Actulux A/S**

**Håndværkervej 2**

**DK-9560 Hadsund**

**Denmark**

**Telefon: +45 98 57 40 90**

**Fax: +45 96 15 28 00**

**[www.actulux.com](http://www.actulux.com)**

©2017 Actulux A/S

Revision: B04-211810\_28.09.2017.

Rights to technical modifications reserved